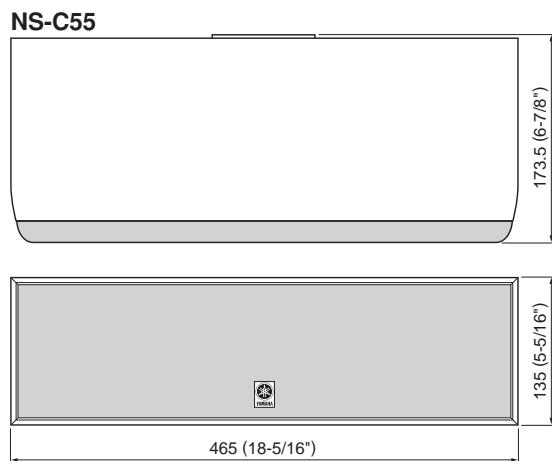
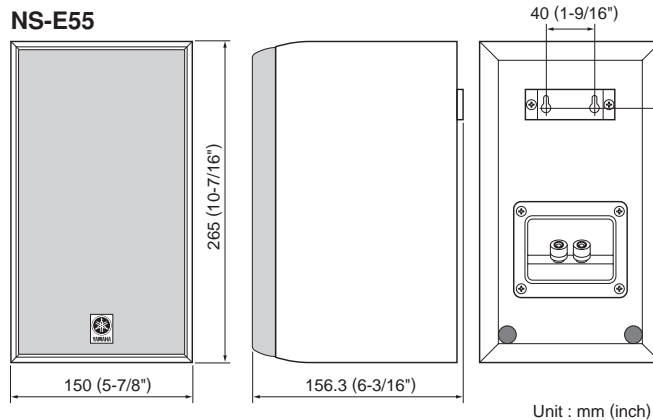


SPEAKER SYSTEM NS-P60

SERVICE MANUAL

The NS-P60 consists of 2 units of NS-E55 and 1 unit of NS-C55. It is available only as a set and not by individual unit.

■ DIMENSIONS



■ SPECIFICATIONS

NS-E55

Type	2-way acoustic suspension
Speaker Unit	
Woofer	10 cm cone
Tweeter	2.2 cm dome
Impedance	6 ohms
Frequency Response	80 Hz – 30 kHz
Nominal Input Power	50 W
Maximum Input Power	150 W
Sensitivity	90 dB/2.83 V/m
Crossover Frequency	5 kHz
Dimensions (W x H x D)	150 x 265 x 156.3 mm (5-7/8" x 10-7/16" x 6-3/16")
Weight	2.2 kg (4 lbs. 13 oz.) / 1 piece
Accessories	Speaker cord (10 m) x 2

NS-C55

Type	2-way 3-speaker acoustic suspension Magnetic-shielding type
Speaker Unit	
Woofer	10 cm cone x 2
Tweeter	2.2 cm dome
Impedance	6 ohms
Frequency Response	70 Hz – 30 kHz
Nominal Input Power	60 W
Maximum Input Power	180 W
Sensitivity	91 dB/2.83 V/m
Crossover Frequency	5 kHz
Dimensions (W x H x D)	465 x 135 x 173.5 mm (18-5/16" x 5-5/16" x 6-7/8")
Weight	3.5 kg (7 lbs. 12 oz.)
Accessories	Speaker cord (4 m) x 1, Velcro strip x 2

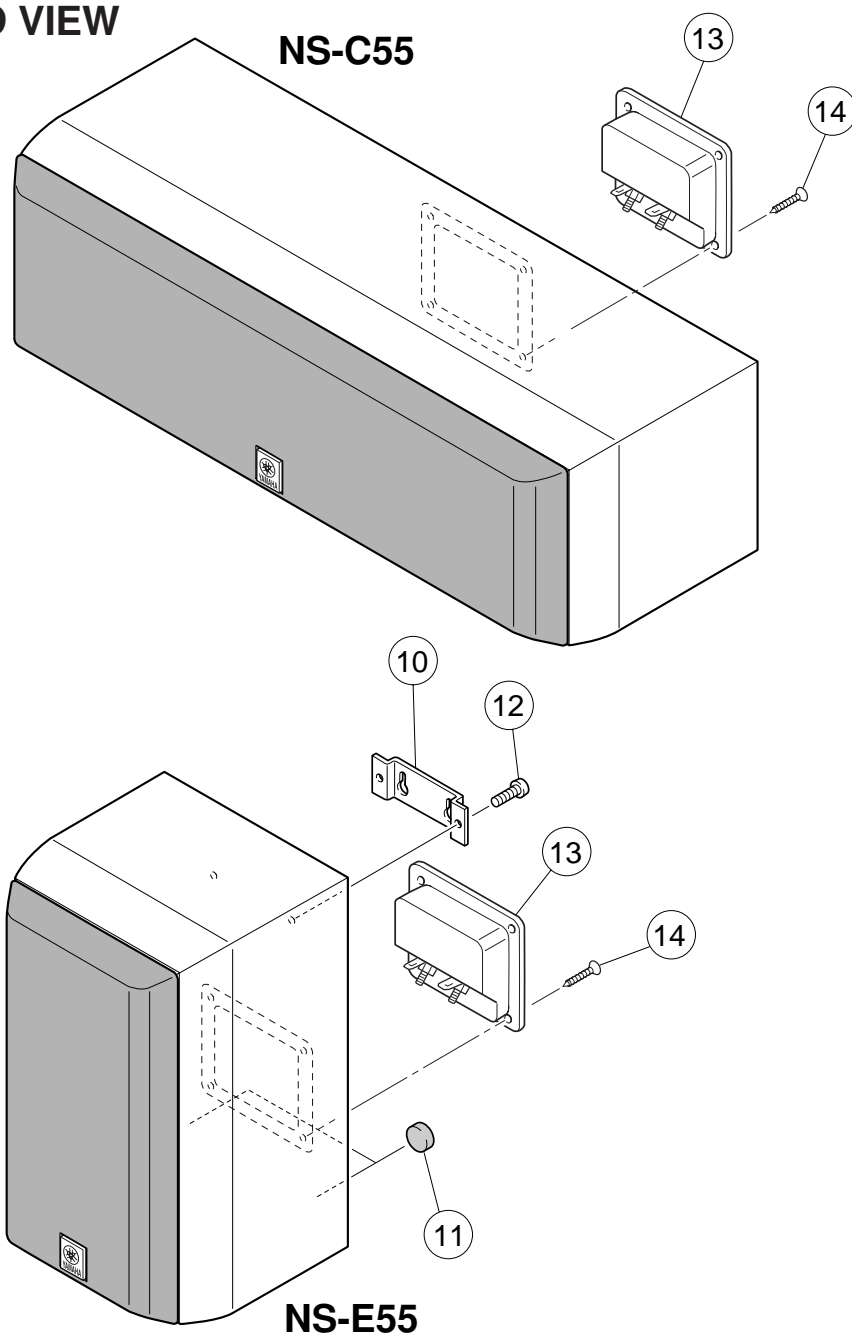
* Specifications are subject change without notice due to product improvements.



このサービスマニュアルは、エコマーク認定の再生紙を使用しています。
This Service Manual uses recycled paper.



■ EXPLODED VIEW



■ PARTS LIST

Ref. No.	PART NO.	Description	Remarks	Markets	
10	VZ188500	BRACKET		NS-E55	
11	VY893800	INSULATOR		NS-E55	
12	VB132700	BIND HEAD SCREW	4x12 MFZN2-BL	NS-E55	
*	13	V4106400	SPEAKER TERMINAL	203-TST-S14BC	
	14	EN230180	OVAL HEAD TAPPING SCREW	3.5x16 MFC2-BL	
		ACCESSORIES			
	VT704200	SPEAKER CABLE	4.0m		
*	V4157600	SPEAKER CABLE	10m		
	VZ184700	FASTENER	VELCRO STRIPx2		

* New Parts